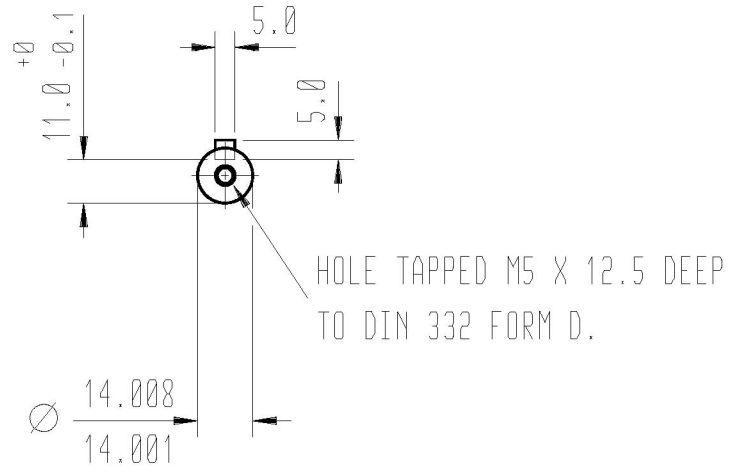
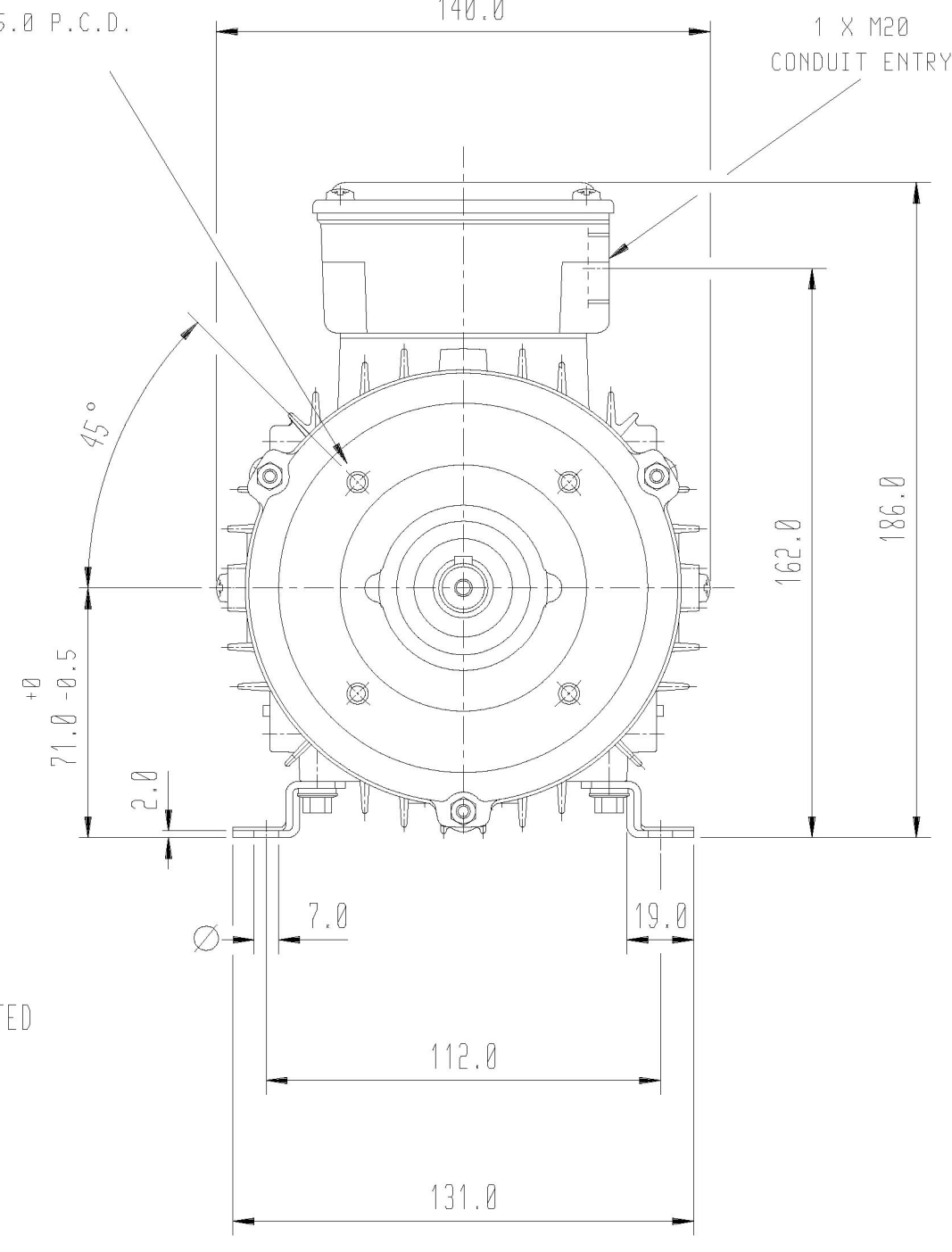
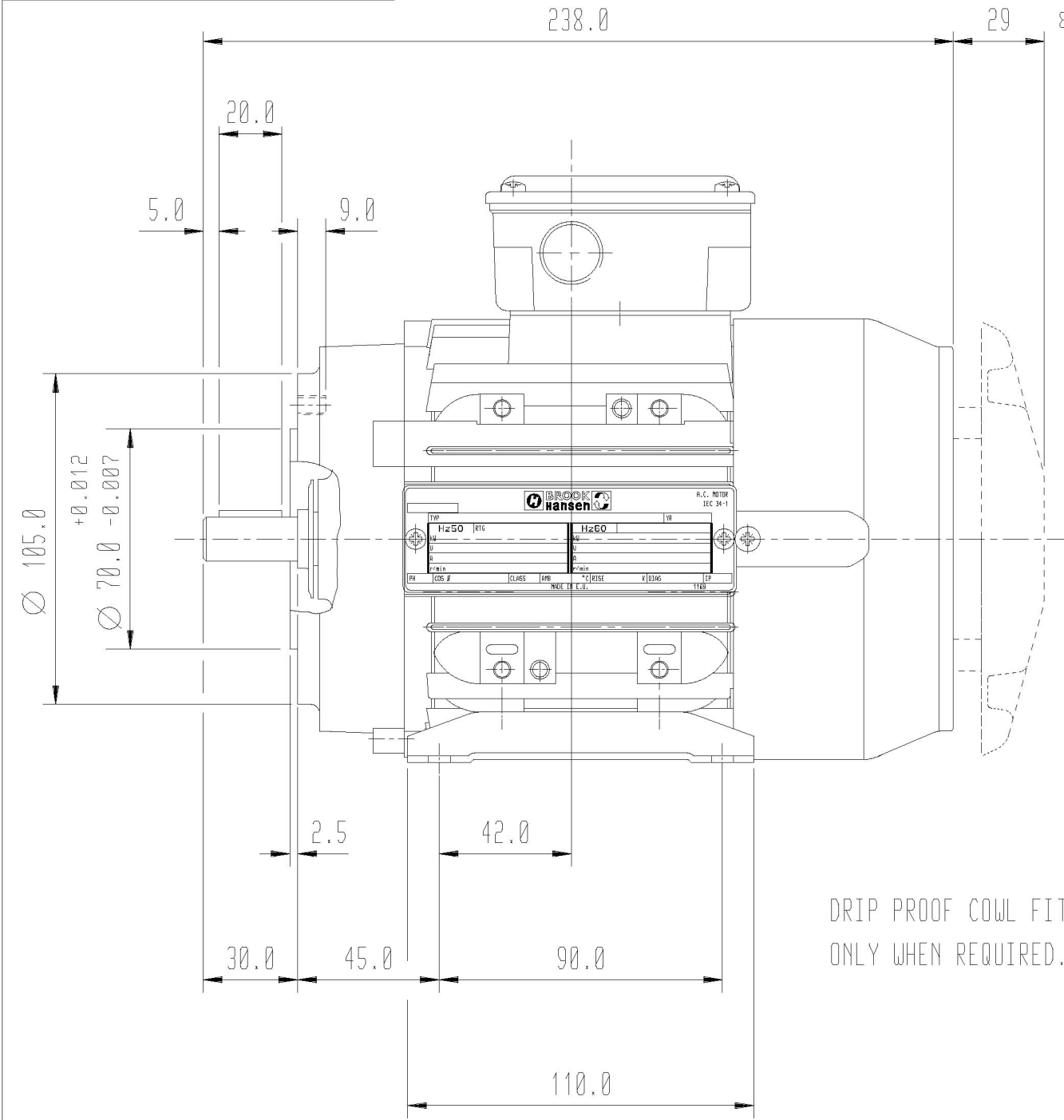


DRG. No.
 DRG. REF.

4 HOLES TAPPED M6
 EQUI-SPACED ON A
 85.0 P.C.D.



TERMINAL BOX CAN BE ARRANGED IN 9 OR 6 O-CLOCK POSITIONS
 CONDUIT ENTRY CAN BE ARRANGED IN 4 ALTERNATIVE POSITIONS

CUSTOMER		
ORDER No.		
SERIAL No.		
FRAME SIZE		
KW.	RPM.	
Hz	PHASE	
VOLTS	POLES	
BRGS.	DE.	NDE.
MOTOR NETT WT.		Kg.
SPECIAL REMARKS		

ALL DIMENSIONS IN MILLIMETRES



BROOK CROMPTON

SHEET SIZE A3	TITLE	OUTLINE DIMENSION DRAWING W ALUMINIUM TOTALLY ENCLOSED FAN COOLED 71S FRAME FOOT & 'C' FACE MOUNTED MOTOR.
	NAME	DATE
	SCALE	1:2

DRAWN	
CHECKED	
SCALE	1:2

DRG. No.	
DRG. REF.	
REVISION:	DATE